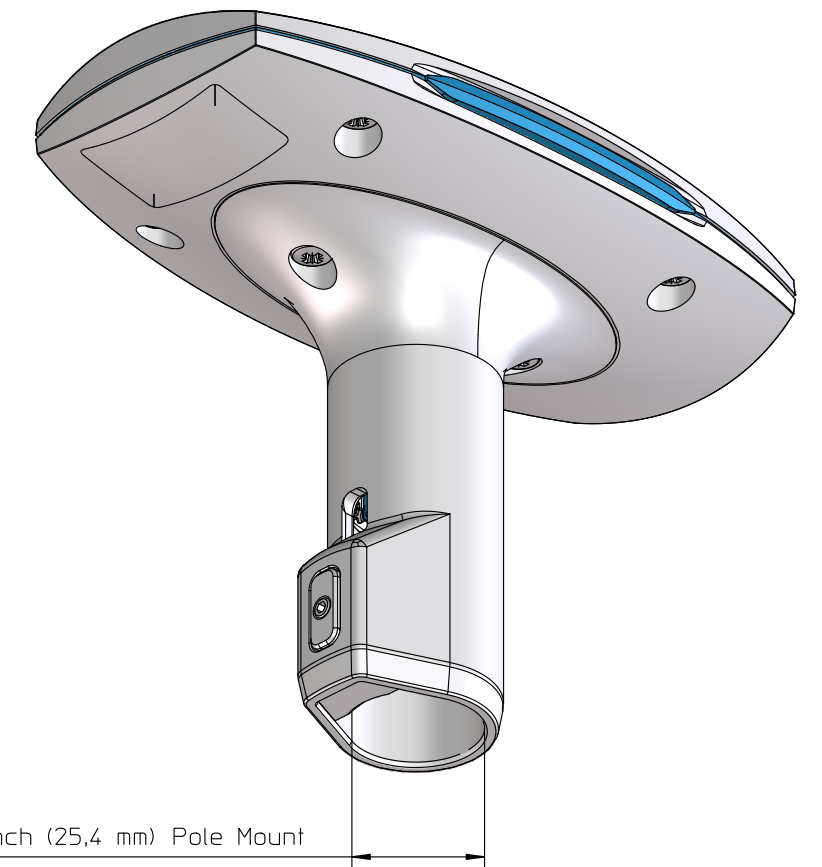


1x M4x12 Pinol Screw
Recommended torque 0.6 Nm
Never exceed 0.8 Nm



One Inch (25.4 mm) Pole Mount

Specification:
Weight: 225 gram

		UNLESS OTHERWISE SPECIFIED DIMENSIONS ARE IN MILLIMETRES AND TOLERANCES ARE IN ACCORDANCE WITH ISO 2768-1 m ANGLES: UN, DIM:		TITLE LT-1000 (NRU) Outline Drawing	
		DR. CO	15-12-2015	Approved	ASSET NUMBER
FILE	SCALE	1:1	REVISION 1.01		
SIZE	A1	NUMBER	43-100334	SHEET 1 OF 1	
CHK. CT	15-12-2015	AP. CO	15-12-2015	Approved	
PROJECTION					