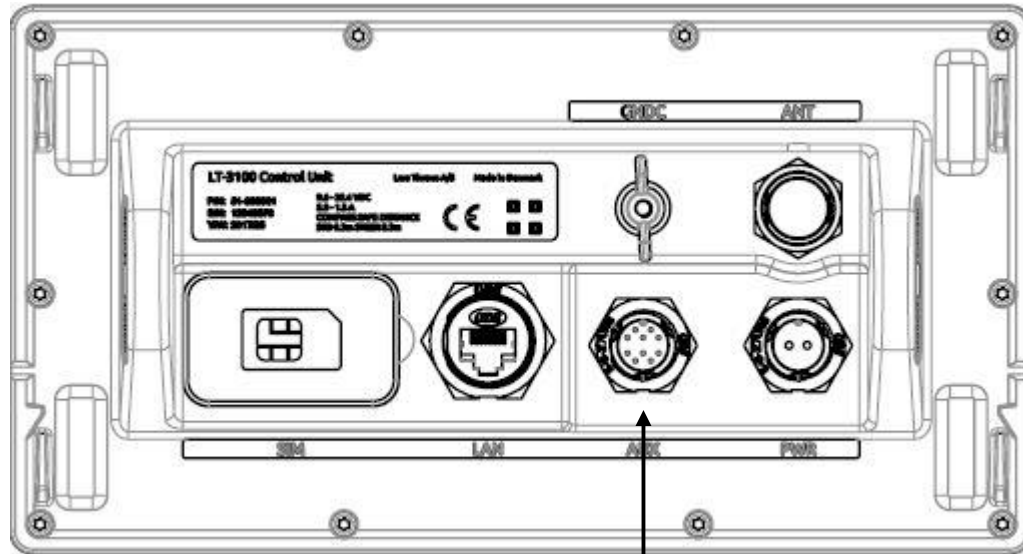


LT-3100 System

AUX Connector and External Ringer



LT-3110 Control Unit (back side)



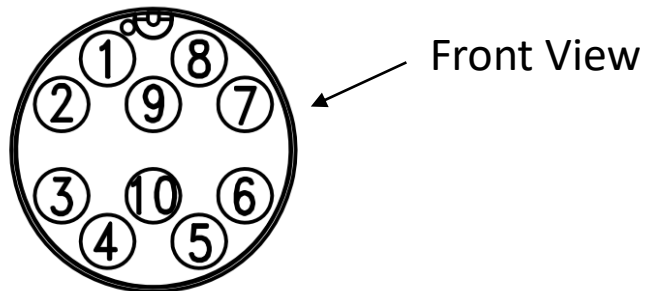
AUX Connector



91-100768 AUX Cable, 3m

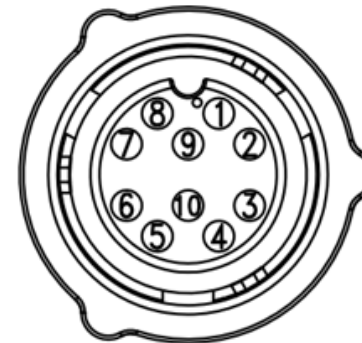
LT-3110 CU AUX Connector & Cable Assignment

LT-3110 AUX Connector



- 1 - External Ringer Ground - Black
- 2 - External Ringer (Output) - Brown
- 3 - RS422 Z (Output) - Red
- 4 - RS422 Y (Output) - Orange
- 5 - RS422 A (Input) - Yellow
- 6 - RS422 B (Input) - Green
- 7 - Radio Silence (Input) - Blue
- 8 - Radio Silence Ground - Violet
- 9 - Not Used - Gray
- 10 - RS422 C (Ground) - White

AUX Cable

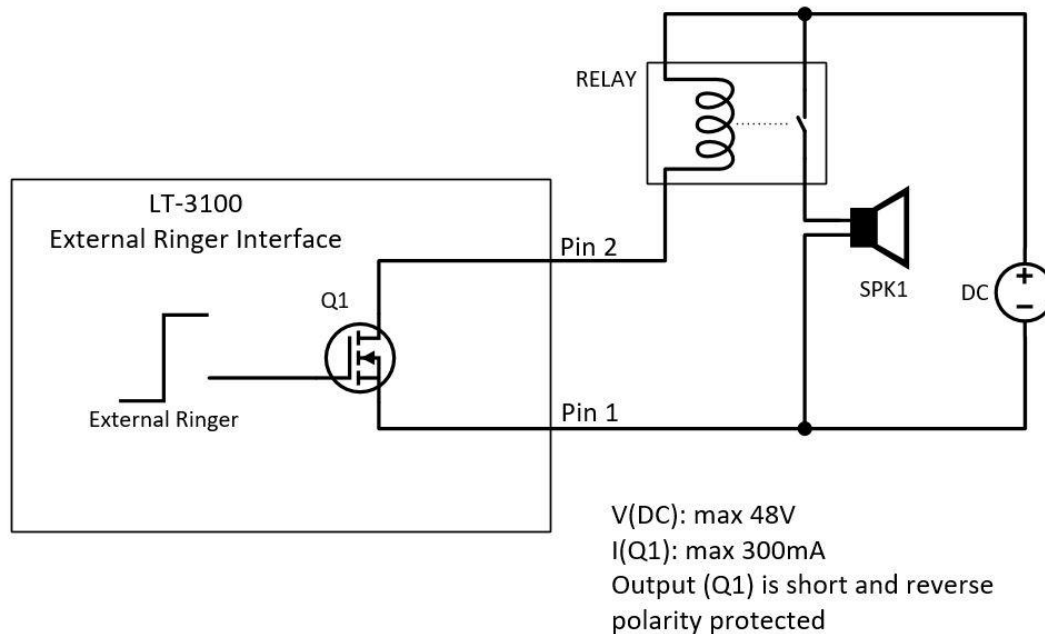


Pin Assignments Front View

10	White	白
9	Gray	灰
8	Violet	紫
7	Blue	藍
6	Green	綠
5	Yellow	黃
4	Orange	橘
3	Red	紅
2	Brown	棕
1	Black	黑
Conn.	Wire Color	
	Pin Out	

LT-3100 External Ringer Diagram

- Pin 1 = Ground (black)
- Pin 2 = External Ringer (brown)



LT-3100 Web Server Config. - External I/O

The screenshot shows the web interface for the LT-3100 system. On the left is a dark sidebar menu with the following items: LT-3100 System, Dashboard, Configuration (with a dropdown arrow), Authentication, Network, Bluetooth, Data, SIP, Tracking, External I/O, GNSS and NMEA output, Reset, Software update, Diagnostics, Legal notice, and Log out. The main content area is titled 'Configuration - External I/O'. It contains two sections: 'Outputs' with 'Output #1' set to a dropdown menu showing 'Not assigned', and 'Inputs' with 'Input #1' set to 'Not assigned'. An 'Apply' button is located below the input section.

- External Ringer (Pin 2) options:
 - Level
 - Pulse @ 0.5 Hz
 - Pulse @ 1 Hz
 - Pulse @ 2 Hz