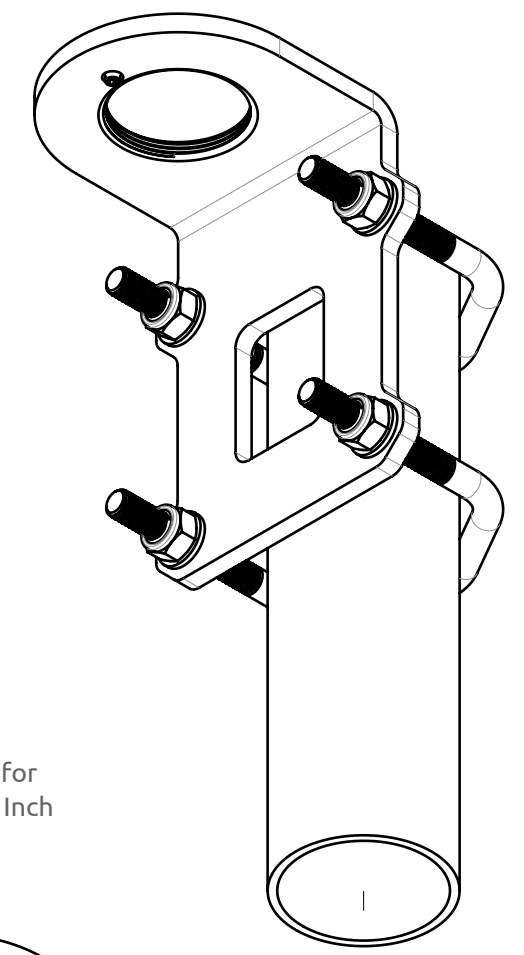
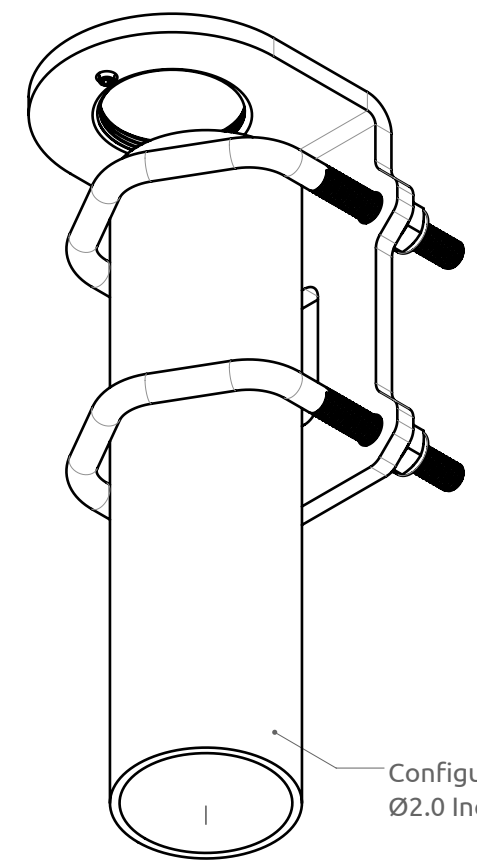


Tube sizes:
 Ø38,1 - Ø63,5 mm
 Ø1.5 - Ø2.5 Inch



M4x8 Hex Socket Set Screw A4 Tuflok
 Hex key size 2 mm
 Torque 1,2 Nm (Antenna Lock)

4x M8 Prevailing Nut A4

4x Ø8 Plain Washer A4

Torque max. 5,5 Nm

Bracket Mount A4

2x V-Bolt M8 A4

	<small>UNLESS OTHERWISE SPECIFIED: DIMENSIONS ARE IN MILLIMETERS AND TOLERANCES ARE IN ACCORDANCE WITH DS/ISO 2768-1 fine ANGLES: LIN. DIM.:</small>		TITLE: Bracket Mount Outline			
	<small>MATERIAL:</small> COLOUR:	<small>FINISH:</small> WEIGHT: 710 g	<small>SCALE:</small> 1:2	<small>PART NUMBER:</small> 43-100773	<small>REVISION:</small> 1.00	SHEET 1 OF 1
<small>SIZE:</small> A3	<small>FIRST ANGLE PROJECTION</small> 	<small>DRAWN</small> CO	<small>03-01-2018</small> Approved	<small>CHECK.</small> NHB	<small>03-01-2018</small> Approved	
		<small>APPROV.</small> CT	<small>03-01-2018</small> Approved	<small>ASSET NUMBER:</small>		