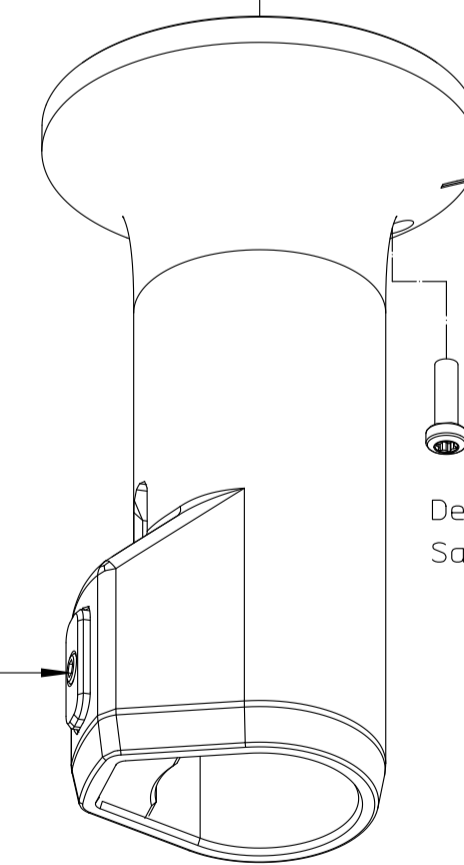


To Lock - turn 30° clockwise

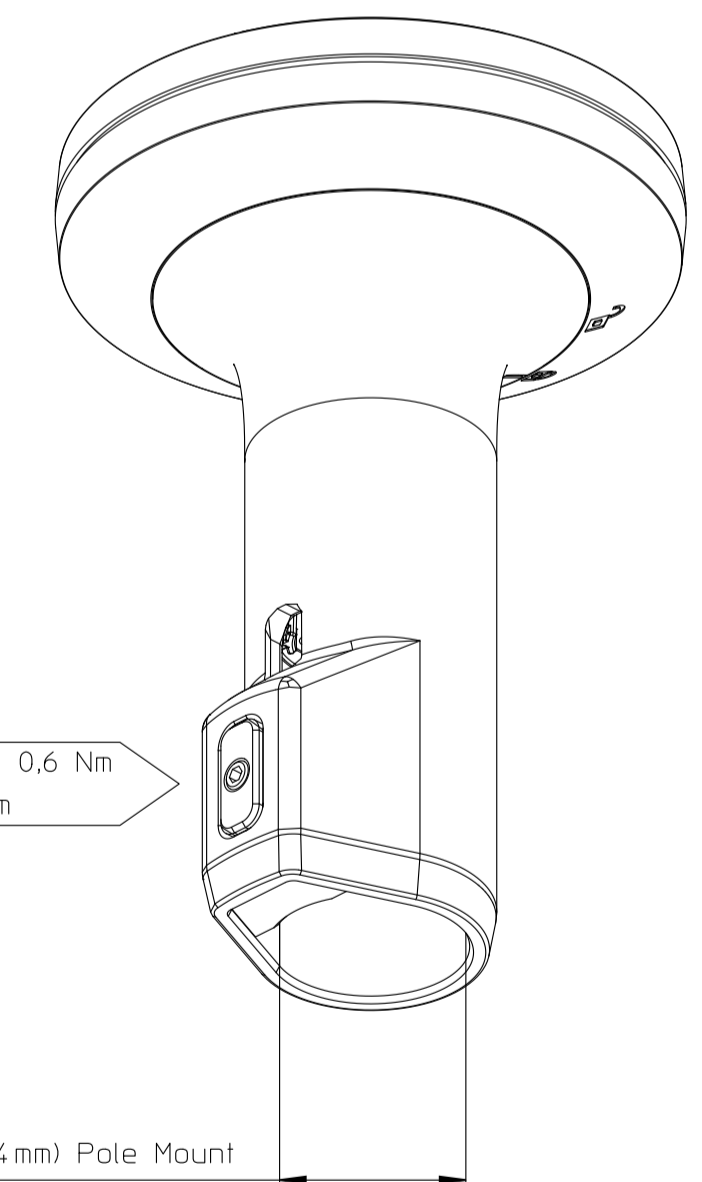


Recommended torque 0.6 Nm  
Never exceed 0.8 Nm

Delta PT 30x10 WN 5452  
Safety lock screw

1x M4x12 Pinol Screw

One Inch (25,4mm) Pole Mount



Specification:  
Weight: 153 gram



UNLESS OTHERWISE SPECIFIED  
DIMENSIONS ARE IN MILLIMETRES  
AND TOLERANCES ARE IN  
ACCORDANCE WITH ISO 2768-1 m  
ANGLES:  
LIN. DIM.:

Material

Surface Treatment:

TITLE		LT-300 GNSS Outline Drawing	
SIZE	NUMBER	REVISION	
A1	43-100425	1.00	
FILE	SCALE	SHEET 1 OF 1	
FIRST	DR.	CD	19-01-2016
ANGLE	CH.	CT	19-01-2016
PROJECTION	AP.	CO	19-01-2016
		Approved	ASSET NUMBER