

1

2

3

4

A

A

B

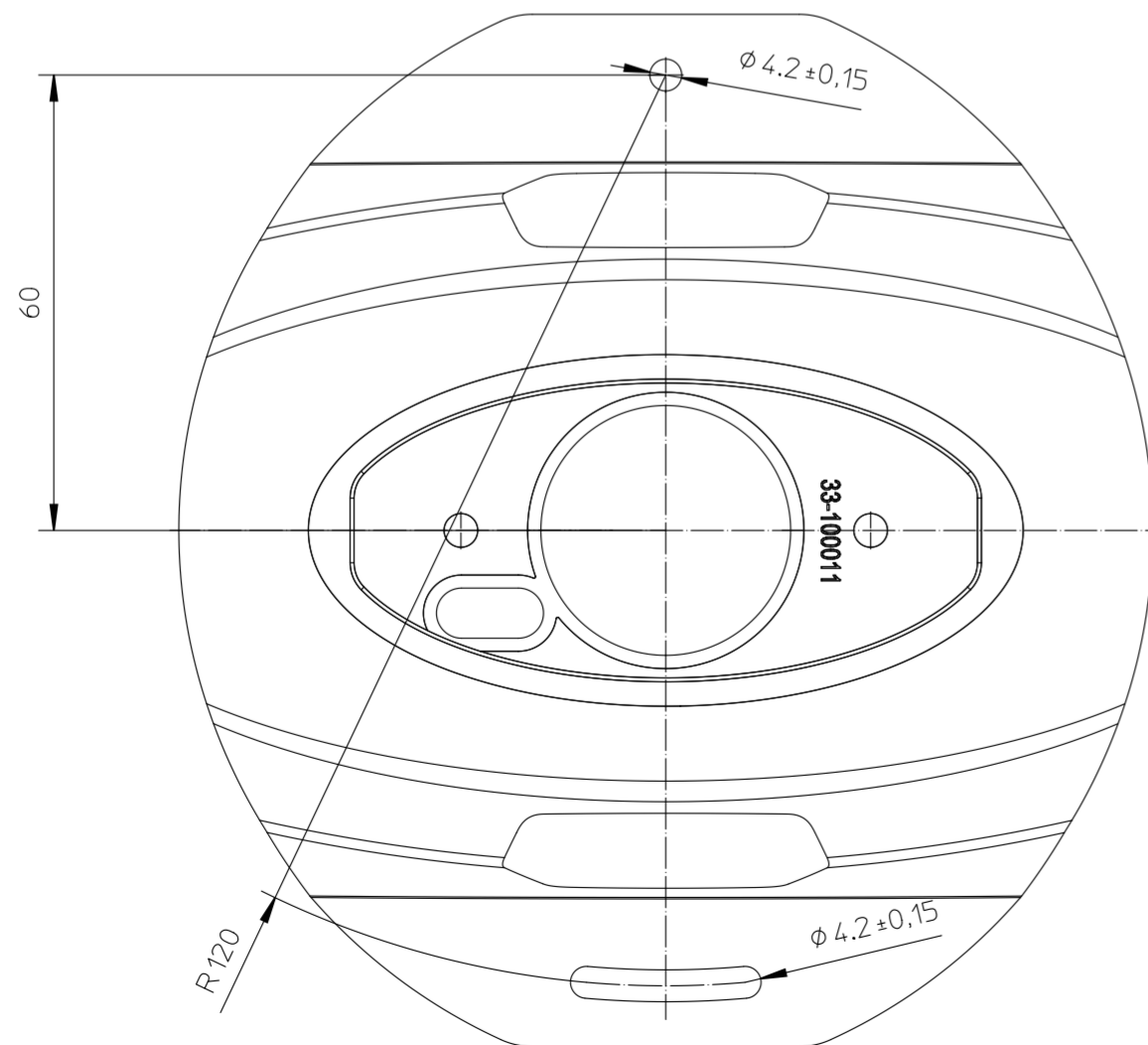
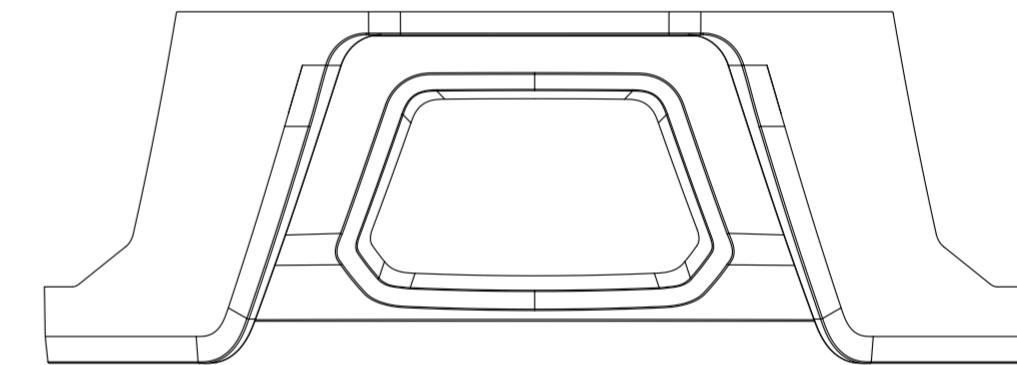
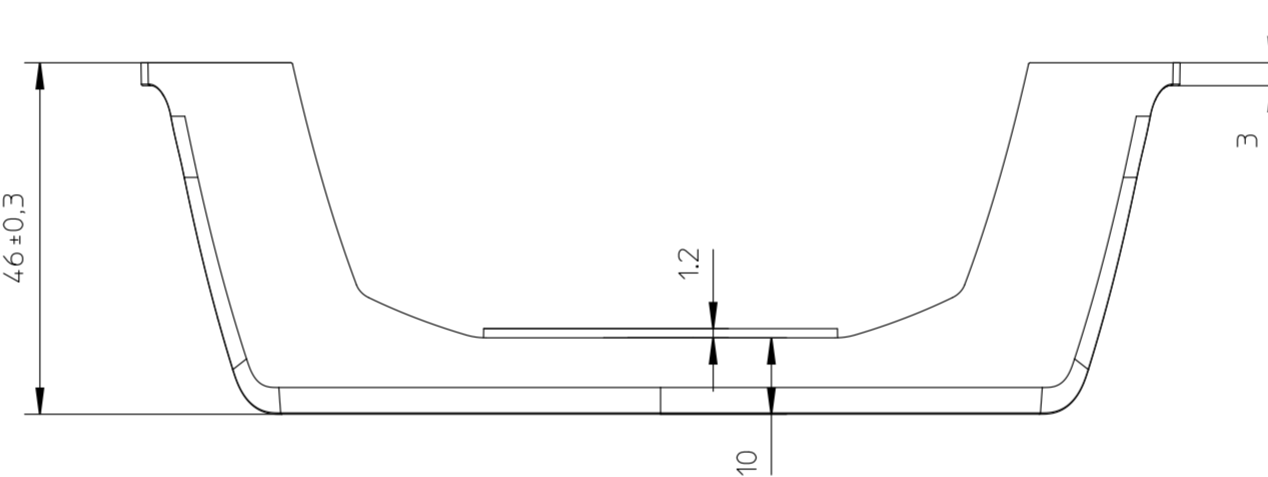
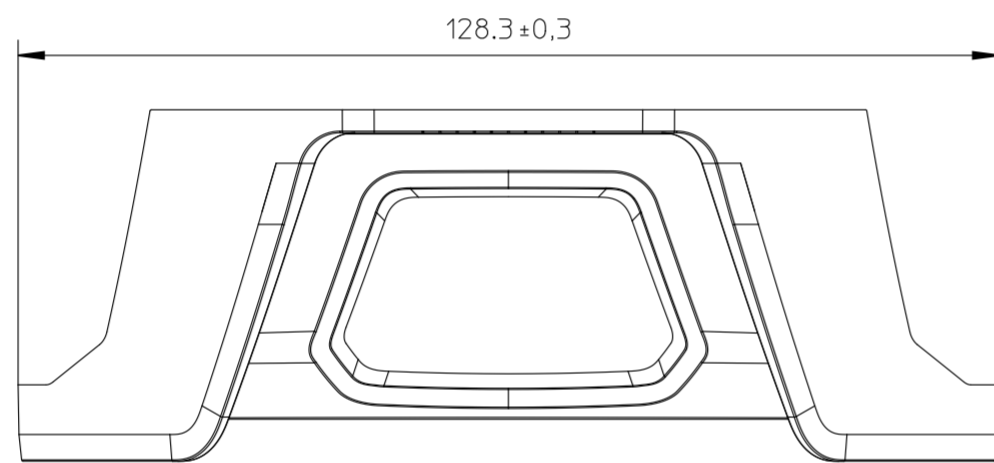
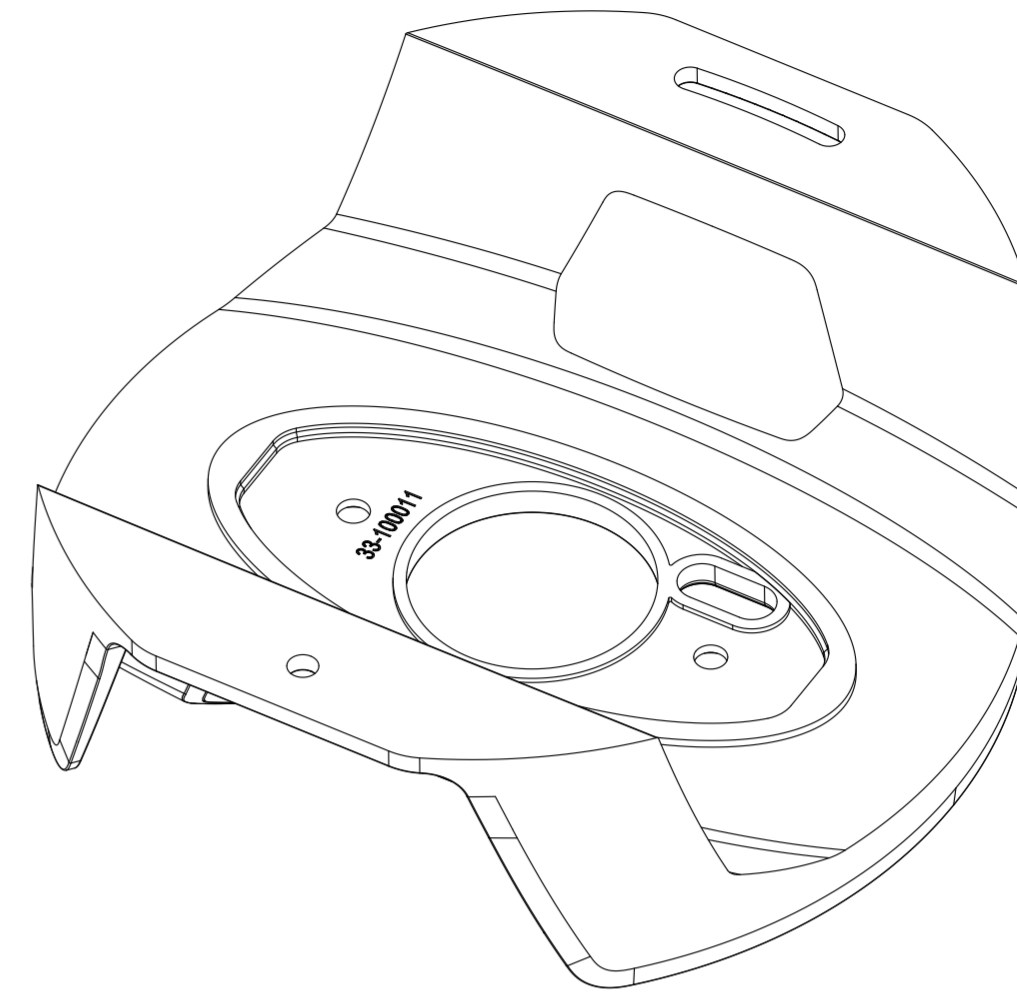
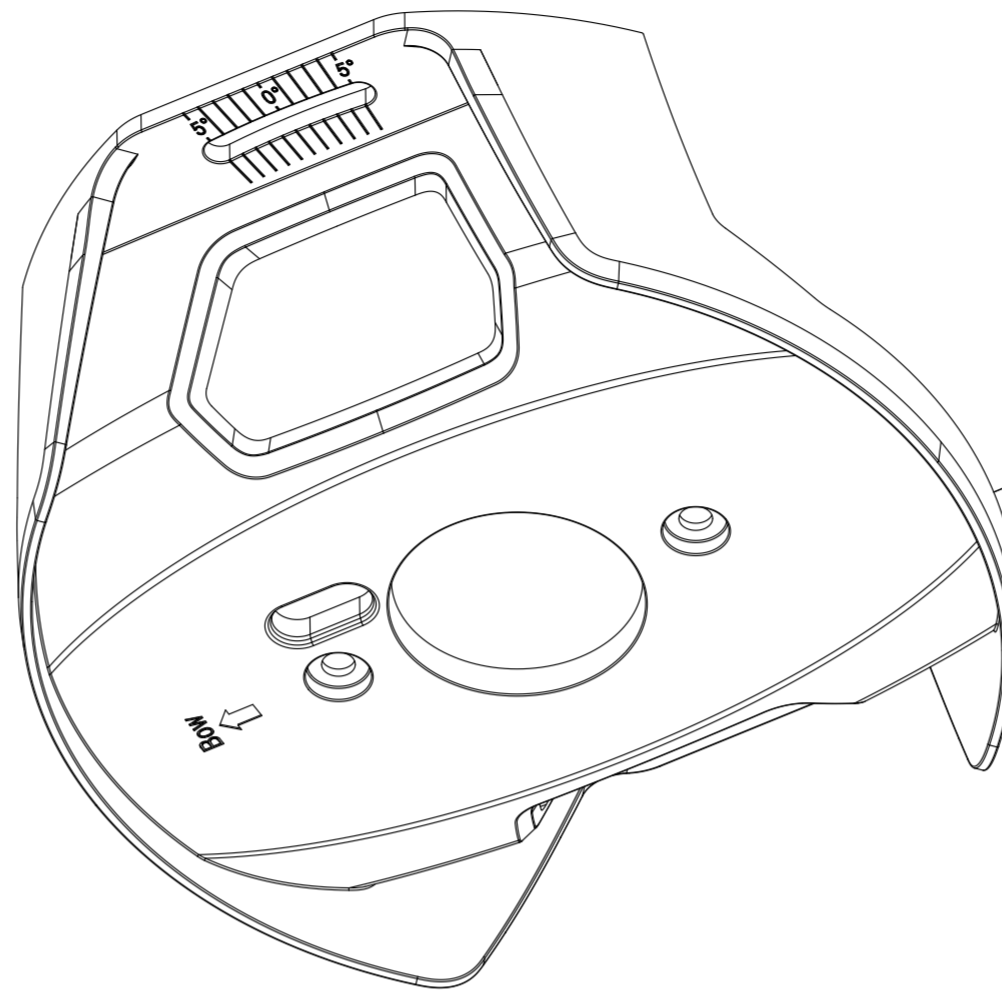
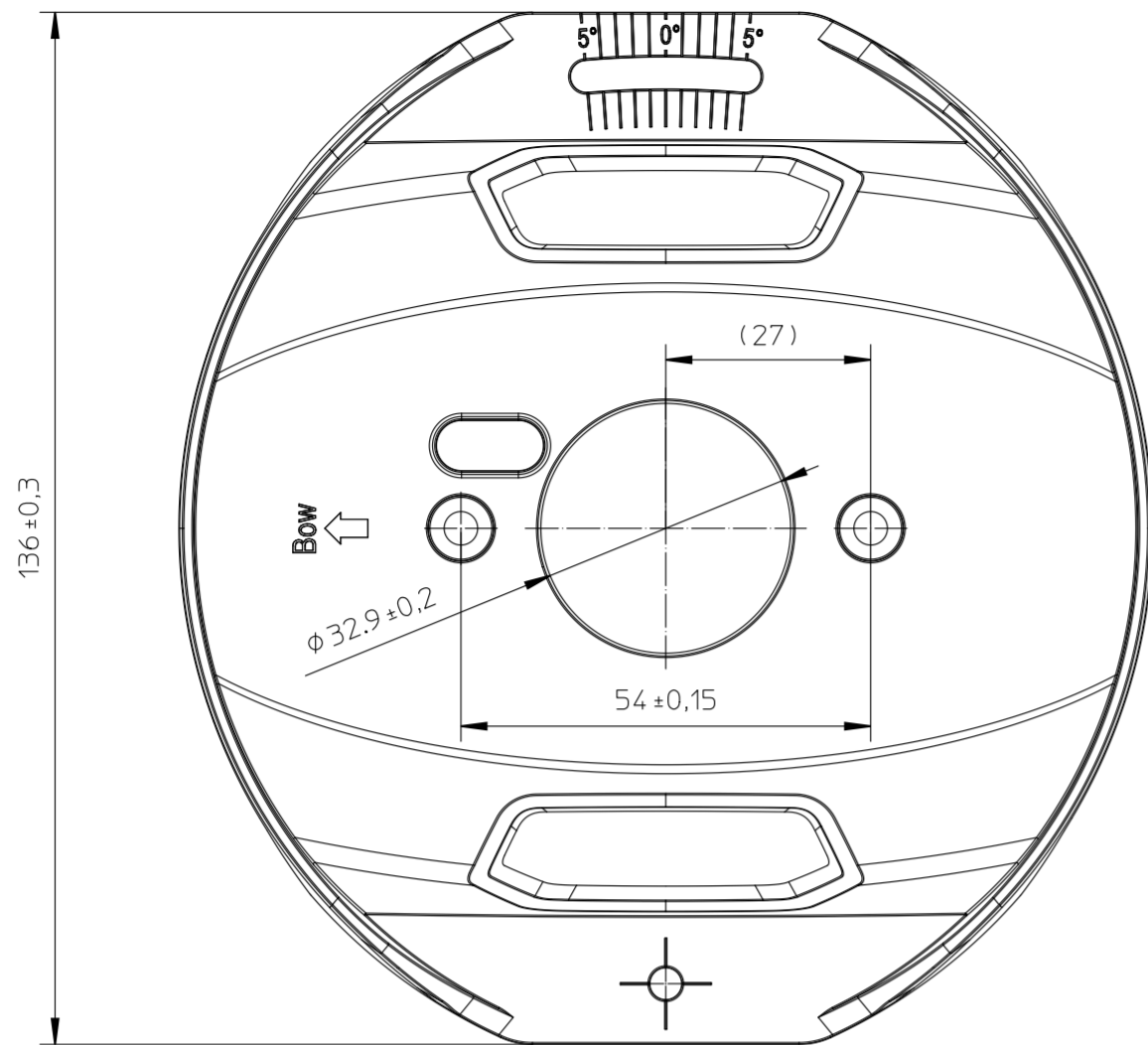
B

C

C

D

D



Specification:

Weight: 97 gram (Density 1,11 g/cm³)

	UNLESS OTHERWISE SPECIFIED DIMENSIONS ARE IN MILLIMETRES AND TOLERANCES ARE IN ACCORDANCE WITH DS/ISO 2768-1 m		TITLE LT-1000 Roof Mount Outline Drawing		
	ANGLES: LIN. DIM.:		SIZE A2	NUMBER 43-100413	REVISION 1.00
Material PC/ASA XP 4034 Colour: White, NCS S 1000N	Surface Treatment: None		FILE	SCALE 1:1	SHEET 1 OF 1
FIRST ANGLE PROJECTION				DR. CO 23-12-2015 Approved	ASSET NUMBER
				CH. CT 23-12-2015 Approved	
				AP. CO 23-12-2015 Approved	

1

2

3

4