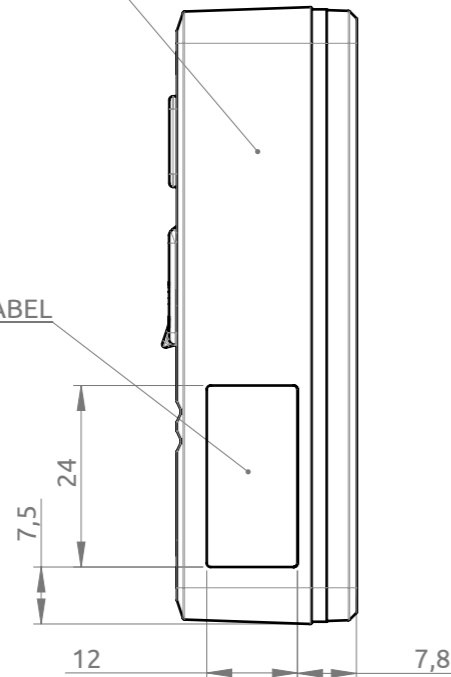


52-102083 Alarm Unit Assembly

17-102103 AP UNIT LABEL



	UNLESS OTHERWISE SPECIFIED: DIMENSIONS ARE IN MILLIMETERS AND TOLERANCES ARE IN ACCORDANCE WITH DS/ISO 2768-1 m ANGLES: LIN. DIM.:	TITLE: Alarm Unit Test														
		SCALE: 1:1	PART NUMBER: 51-101815	REVISION: 2.01												
MATERIAL:	FINISH:	SIZE: A3	SHEET 1 OF 1													
COLOUR:	WEIGHT: 67.87 g	FIRST ANGLE PROJECTION	<table border="1"> <tr> <td>DRAWN</td> <td>NHB</td> <td>17-01-2020</td> <td>Approved</td> </tr> <tr> <td>CHECK.</td> <td>CO</td> <td>17-01-2020</td> <td>Approved</td> </tr> <tr> <td>APPROV.</td> <td>CT</td> <td>17-01-2020</td> <td>Approved</td> </tr> </table>	DRAWN	NHB	17-01-2020	Approved	CHECK.	CO	17-01-2020	Approved	APPROV.	CT	17-01-2020	Approved	ASSET NUMBER:
DRAWN	NHB	17-01-2020	Approved													
CHECK.	CO	17-01-2020	Approved													
APPROV.	CT	17-01-2020	Approved													