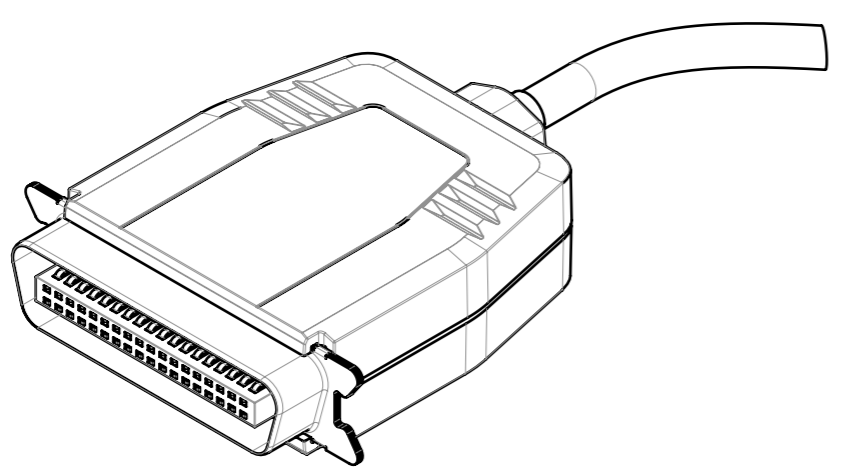
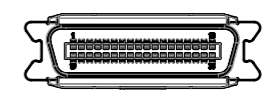
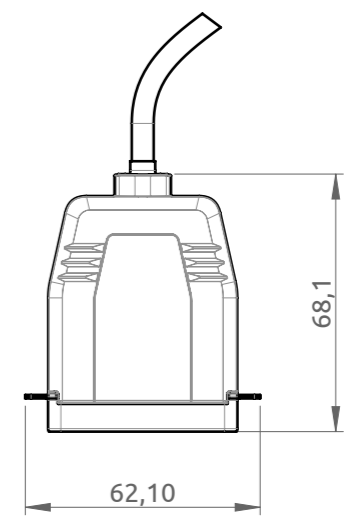
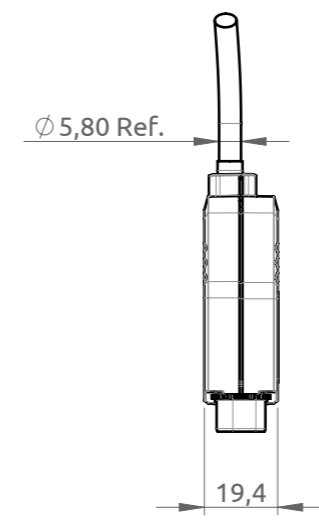
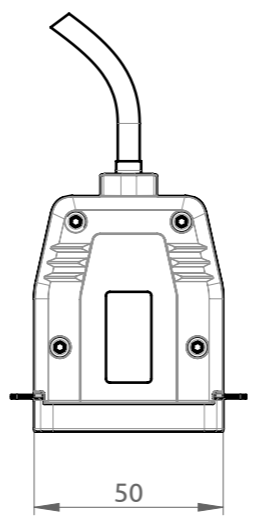


Weight - Printer Adapter incl. 25m Cable: 1200 g

Weight - Printer Adapter housing: 32 g



Scale 1:1



	<small>UNLESS OTHERWISE SPECIFIED: DIMENSIONS ARE IN MILLIMETERS AND TOLERANCES ARE IN ACCORDANCE WITH DS/ISO 2768-1 m</small>		TITLE: Printer Adapter Cable Outline			
	<small>ANGLES: LIN. DIM.:</small>		SCALE: 1:2	PART NUMBER: 43-102153		REVISION: 1.00
	MATERIAL:		FINISH:		SIZE: A3	
	COLOUR:		WEIGHT:		SHEET 1 OF 1	
				<small>DRAWN</small> CO 04-11-2019 Approved	<small>ASSET NUMBER:</small>	
				<small>CHECK</small> NHB 04-11-2019 Approved		
				<small>APPROV.</small> CT 04-11-2019 Approved		