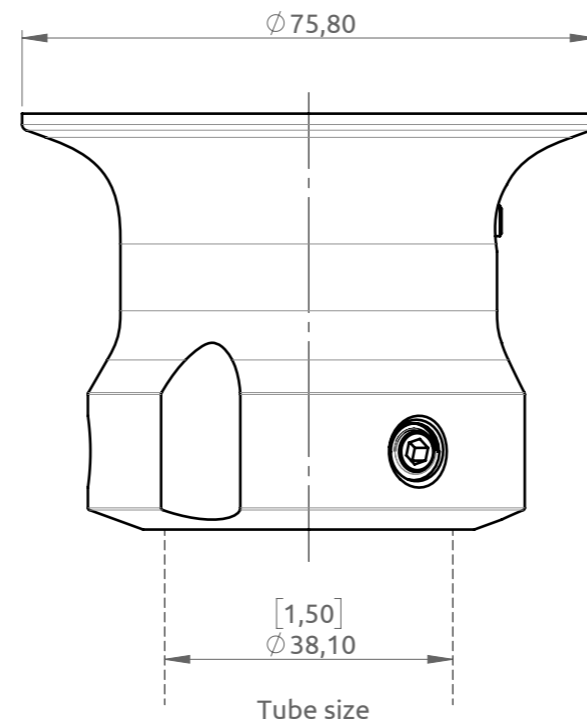
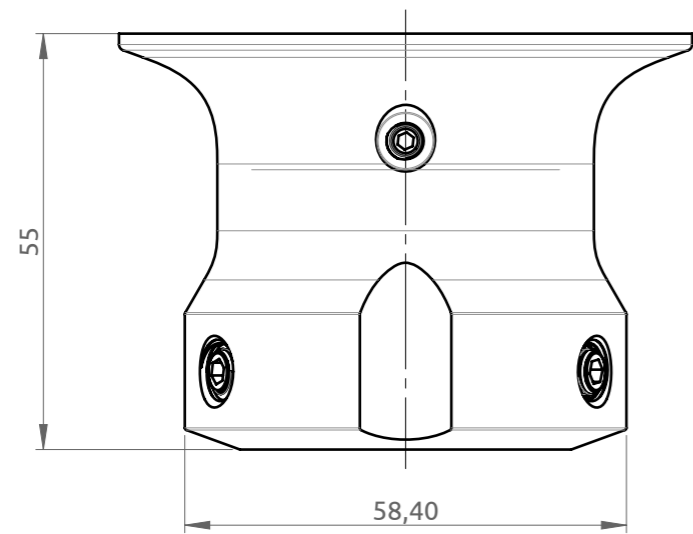
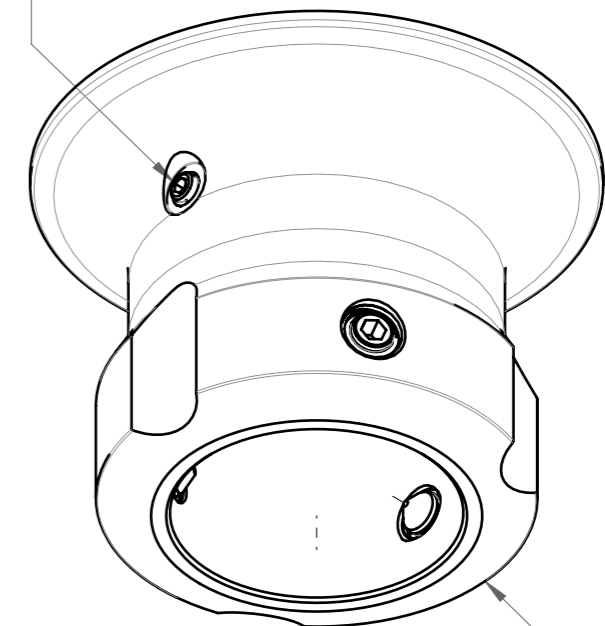


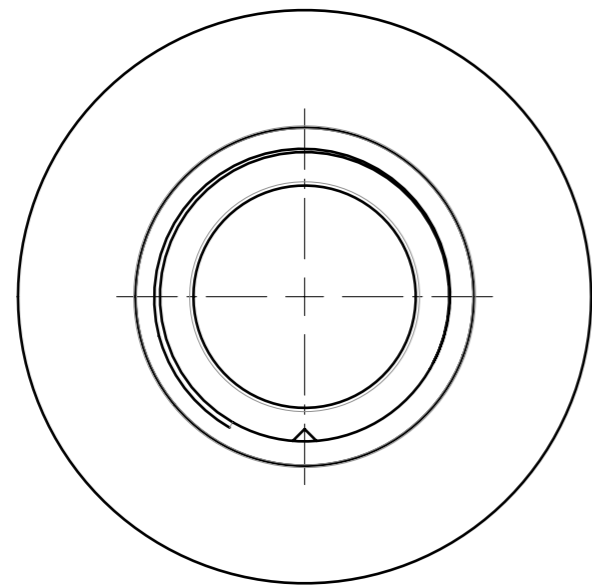
3x M6x12 Hex Socket Set Screw A4 Tuflok
 Hex key size 3 mm
 Torque max. 4,5 Nm (Pole lock)



M4x8 Hex Socket Set Screw A4 Tuflok
 Hex key size 2 mm
 Torque max. 1,2 Nm (Antenna lock)



1.5 Inch Pole Mount
 Black Anodized



	<small>UNLESS OTHERWISE SPECIFIED: DIMENSIONS ARE IN MILLIMETERS AND TOLERANCES ARE IN ACCORDANCE WITH DS/ISO 2768-1 fine ANGLES: LIN. DIM.:</small>		TITLE: 1.5 Inch Pole Mount Outline		
	MATERIAL:	FINISH:	SCALE: 1:1	PART NUMBER: 43-101471	REVISION: 1.00
COLOUR:	WEIGHT: 183.53 g	SIZE: A3	SHEET 1 OF 1		
FIRST ANGLE PROJECTION			DRAWN: CO 20-08-2018 Approved	CHECK: NHB 20-08-2018 Approved	ASSET NUMBER:
			APPROV.: CT 20-08-2018 Approved		